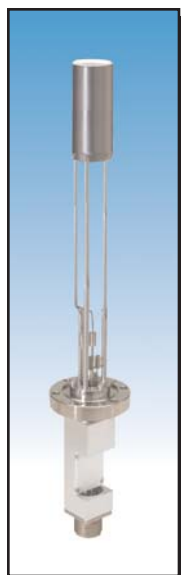
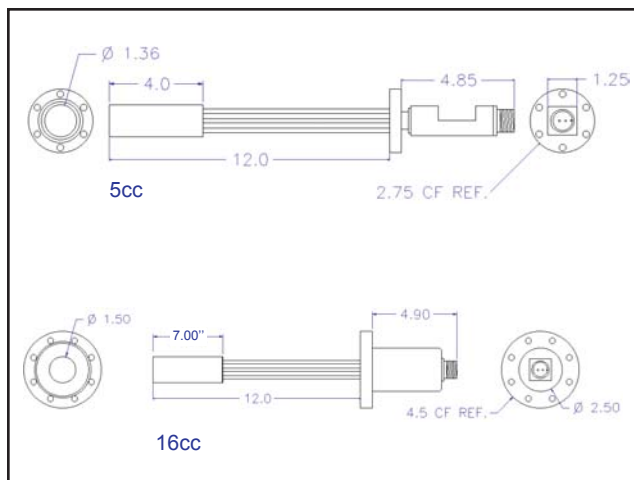


# Dopant Effusion Cell SVT-A D Series



## Features & Options

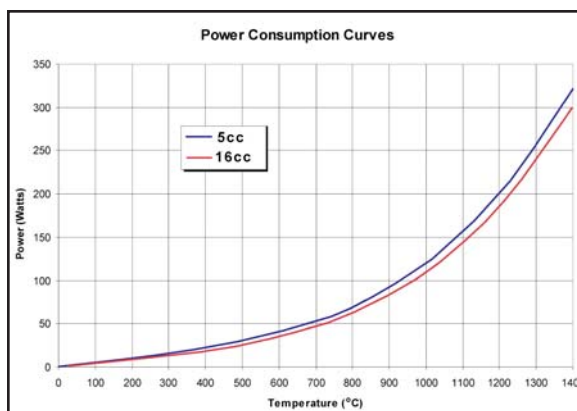
- Excellent Choice for Dopant Applications
- Provides Excellent Incorporation
- Integral Cooling Shroud and Shutter



Schematic Drawing of Dopant Effusion Cells  
Dimensions are give in Inches.

## Description

**SVT-A D Series** is designed to evaporate smaller quantity of materials, such as as Silicon and Beryllium. Models are available for mounting on either a 2.75" or 4.50" OD CF. All cells are thoroughly tested and characterized before shipment. Water cooling shroud and integral Shutter are optional for 4.50" CF flange or larger. Because of its small size it is ideally suited for dopant applications.



Typical power consumption for 5cc and 16cc Dopant cell.

## Specifications

<b>Temperature Range</b> .....	0°C - 1400°C
<b>Power Requirement</b> .....	600 W or 1kW
<b>Temperature Stability</b> .....	± 0.1 °C
<b>Temperature Reproducibility</b> .....	± 0.1 °C
<b>Thermocouple Type</b> .....	Type C (Type D Available)
<b>Standard Length</b> .....	*12.0"
<b>Mounting Flange</b> .....	2.75" or 4.50" OD - CF
<b>Electrical Connectors</b> .....	Filament: Amphenol Circular T/C: Omega Submini

Model	Flange Size (CFF)	Crucible (cc)
SVTA-D-5-275	2.75"	5
SVTA-D-5-450	4.50"	5
SVTA-DD-6-450	4.50"	6
SVTA-D-16-450	4.50"	16

- \* Contact SVTA for Custom In-Vacuum Lengths.
- \* Other Crucible Materials are Available.