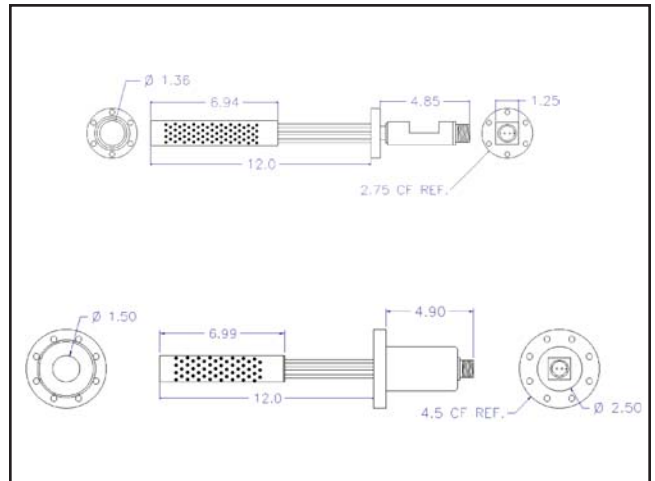


# Low Temperature Effusion Cell SVT-A LT Series



## Features

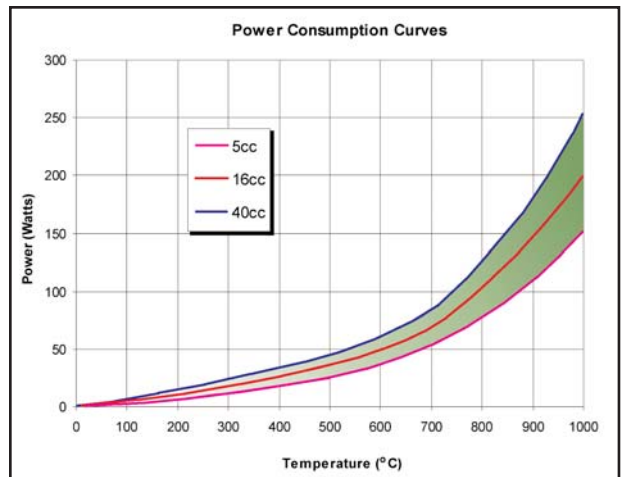
- Stable Fluxes for High Vapor Pressure Materials.
- Designed for Optimal Performance at Lower Temperatures
- Hot-Lip Style Filament Design to Prevent Condensation
- Wide Range of Sizes Available



Schematic Drawing of Low Temperature Effusion Cells.  
Dimensions are give in Inches.

## Description

**SVT-A** LT Series is the definitive choice for high vapor pressure materials. The source is designed for temperature stability at low temperatures and utilizes the **SVT-A** hot-lip style filament to prevent condensation due to radiative heat loss. Models are available for mounting on a 2.75" or larger CF flange. **SVT-A's** effusion cells are thoroughly tested and characterized before shipment.



Typical Power Consumption for 5cc - 40cc Low Temperature cell.

## Specifications

<b>Temperature Range</b> .....	0°C - 1000°C
<b>Power Requirement</b> .....	600 W or 1kW
<b>Temperature Stability</b> .....	± 0.1 °C
<b>Temperature Reproducibility</b> .....	± 0.1 °C
<b>Thermocouple Type</b> .....	Type K
<b>Crucible Size</b> .....	16cc, 20cc, 22cc, 40cc 16cc and 22cc Crucibles have Tapered Wall for Best Uniformity (PBN Crucible)
<b>Standard Length</b> .....	*12.0"
<b>Mounting Flange</b> .....	2.75" or 4.50" OD - CF
<b>Electrical Connectors</b> .....	Filament: Amphenol Circular T/C: Omega Submini

Model	Flange Size (CFF)	Crucible (cc)
SVTA-LT-16-275	2.75"	16
SVTA-LT-16-450	4.50"	16
SVTA-LT-20-275	2.75"	20
SVTA-LT-20-450	4.50"	20
SVTA-LT-22-275	2.75"	22
SVTA-LT-22-450	4.50"	22
SVTA-LT-40-275	2.75"	40
SVTA-LT-40-450	4.50"	40

- \* Contact SVTA for Custom In-Vacuum Lengths.
- \* Other Crucible Materials are Available.