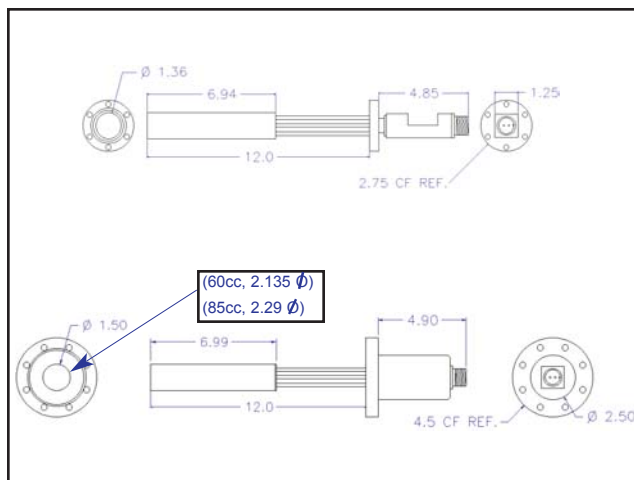


# Single Filament Effusion Cell SVT-A SF Series



## Features & Options

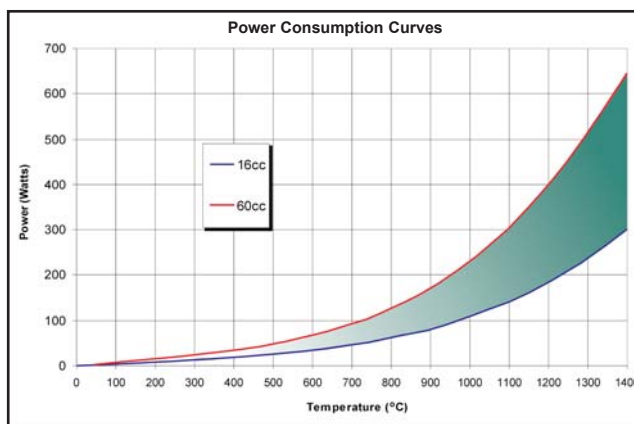
- High Performance Components
- Wide Range of Accessories
- Integral Water Cooling and Shutters
- Sturdy All Tantalum and PBN Hot Zone



Schematic Drawing of Single Filament Effusion Cells.  
Dimensions are give in Inches.

## Description

**SVT-A SF Series** is the perfect choice for a general purpose source heater for Germanium and related materials. It's single filament design heats the crucible uniformly for evaporation of materials. Models are available for mounting on a 2.75" or larger CF flange. **SVT-A** effusion cells are thoroughly tested and characterized before shipment. Water cooling shrouds and integral shutters are optional for 4.50" CF flange or larger.



Typical power consumption for 16cc - 60cc Single Filament cell.

## Specifications

**Temperature Range**.....0°C - 1400°C  
**Power Requirement**.....600 W or 1kW  
**Temperature Stability**.....± 0.1 °C  
**Temperature Reproducibility**.....± 0.1 °C  
**Thermocouple Type**.....Type C  
 (Type D Available)  
**Crucible Size**.....16cc, 20cc, 22cc, 40cc, 60cc, 85cc  
 16cc and 22cc Crucibles have  
 Tapered Wall for Best Uniformity  
 (PBN Crucible)  
**Standard Length**.....\*12.0"  
**Mounting Flange**.....2.75" or 4.50" OD - CF  
**Electrical Connectors**.....Filament: Amphenol Circular  
 T/C: Omega Submini

Model	Flange Size (CFF)	Crucible (cc)
SVTA-SF-16-275	2.75"	16
SVTA-SF-16-450	4.50"	16
SVTA-SF-20-275	2.75"	20
SVTA-SF-20-450	4.50"	20
SVTA-SF-22-275	2.75"	22
SVTA-SF-22-450	4.50"	22
SVTA-SF-40-275	2.75"	40
SVTA-SF-40-450	4.50"	40
SVTA-SF-60-450	4.50"	60
SVTA-SF-85-450	4.50"	85

- \* Contact SVTA for Custom In-Vacuum Lengths.
- \* Other Crucible Materials are Available.