

SVTA Source Flange

Features

- A Wide Range of Sizes Available
- Extensive Line of Effusion Cells
- Optional Pyrometry Port and Integral Shutter

Description

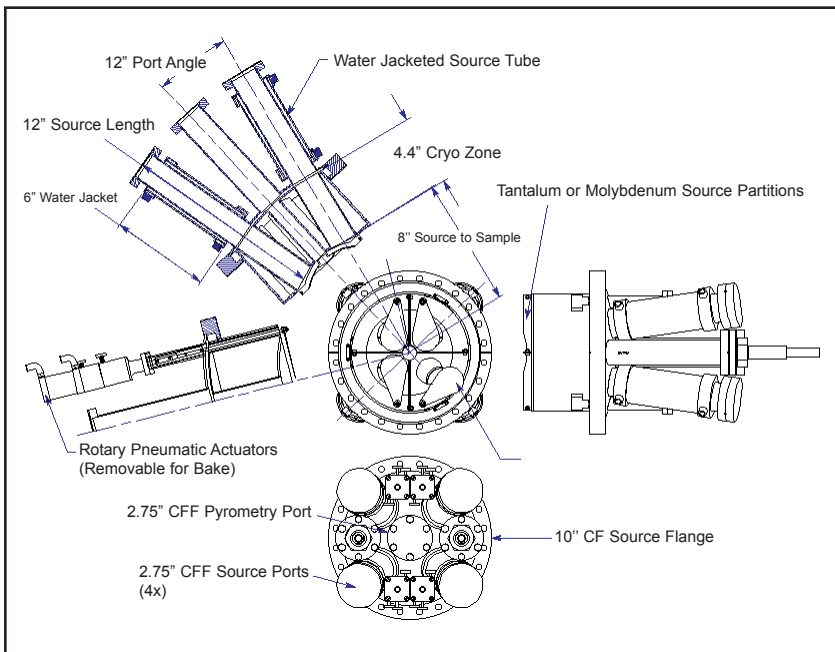
SVTA source flanges are designed in a wide range of sizes to meet your thin film deposition needs. SVTA offers size that range from four-2.75" effusion cell ports on a 10" flange, to eight-4.625" effusion cell ports on a 22" flange. Each source flange contains attached cryopanel with large LN2 or H2O feedthrough. The source flange also includes a center viewing port for pyrometry and can be ordered with or without integral shutter assemblies.



Front view of a 10" OD source flange with four effusion cell ports.



Side view showing rotary pneumatic cell shutters.



A typical source flange configuration for four 2.75" CF port on a 10" CF with integral shutters. Compatible with an extensive line of SVTA effusion cells to grow many types of epitaxy films.

The following information is needed when ordering a source flange. Please contact SVTA for more information.

1. Maximum O.D. of Source Flange
2. Number of Effusion Cells and Sizes
3. Source to Substrate Distance
4. Shutters and View port Requirement
5. Cooling Shroud (LN2 or H2O)

Solutions Through Epitaxy Engineering